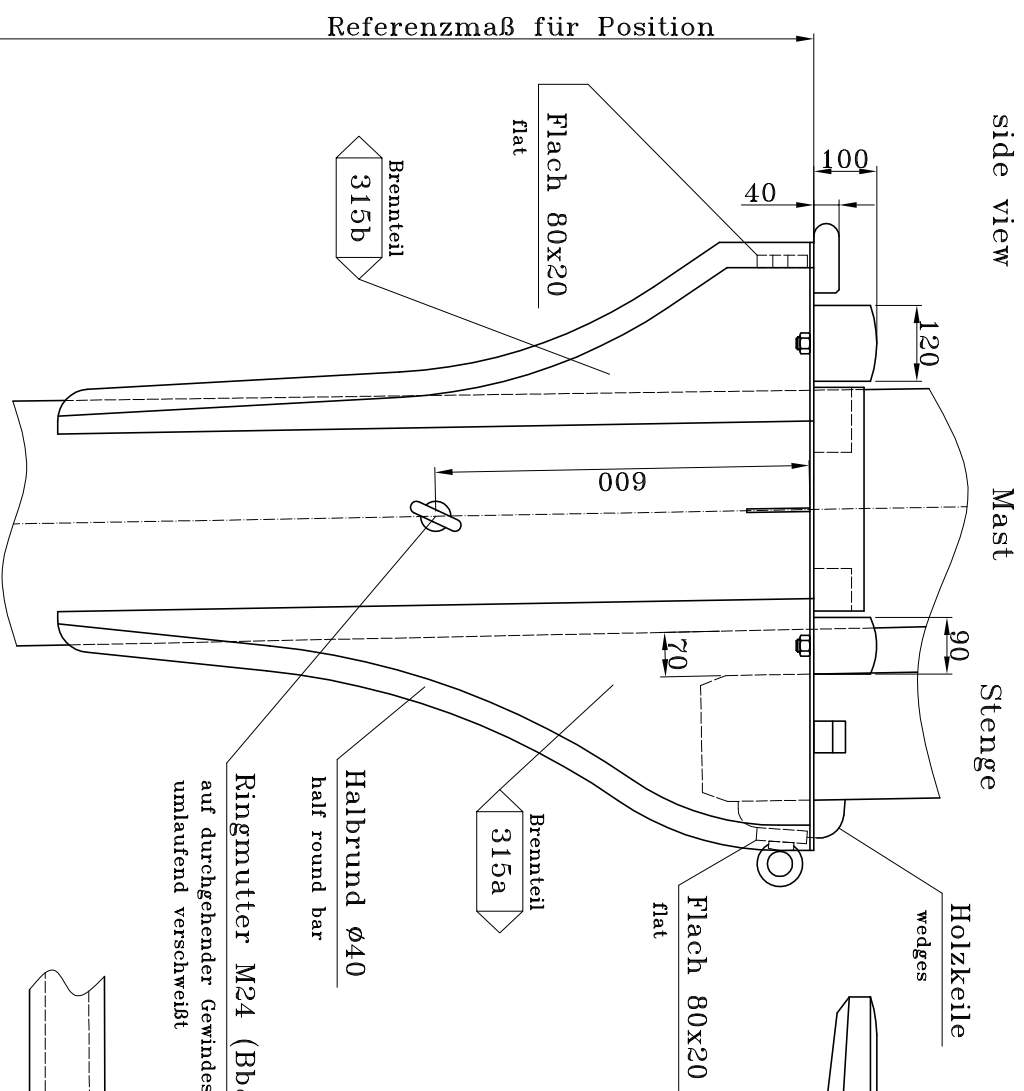


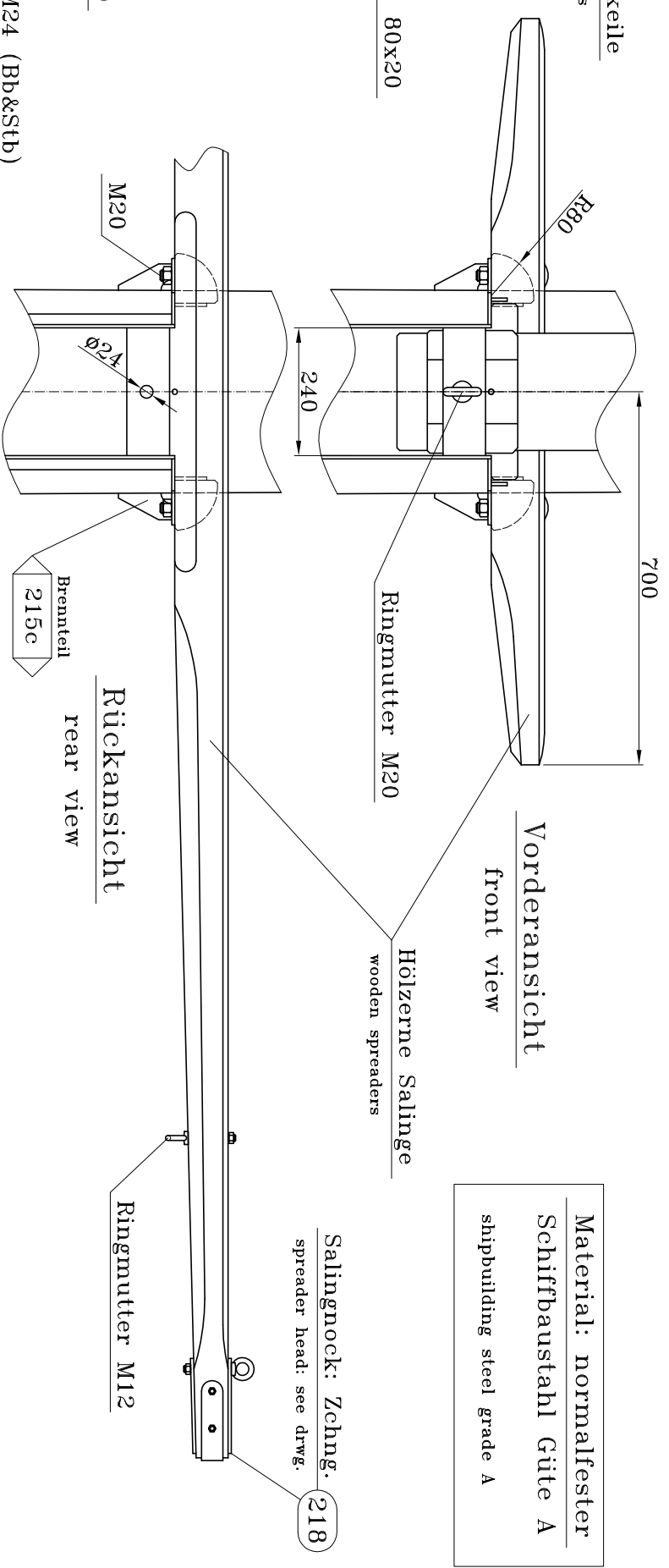
Seitenansicht

side view



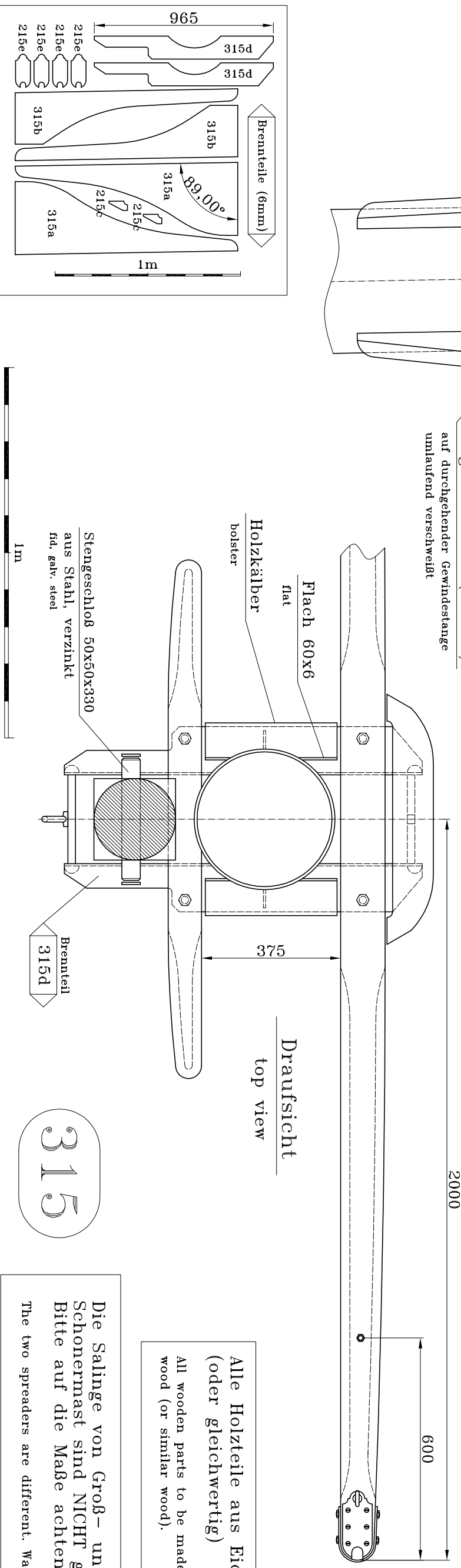
Vorderansicht

front view



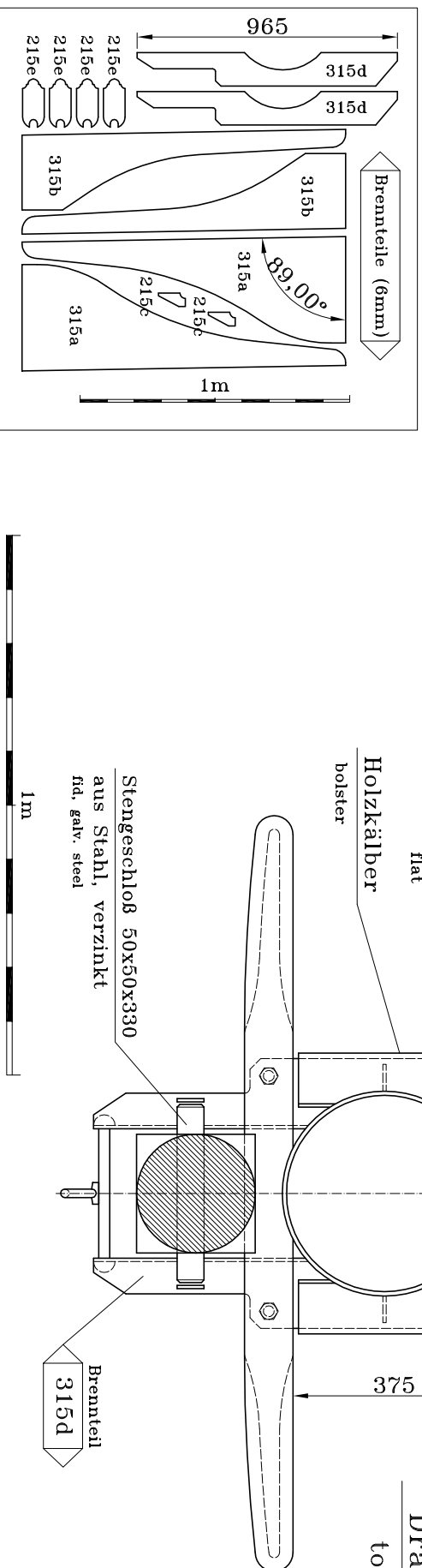
Rückansicht

rear view



Draufsicht

top view



315

Alle Holzteile aus Eiche (oder gleichwertig)
All wooden parts to be made of oak wood (or similar wood).

Die Salinge von Groß- und Schonermast sind NICHT gleich! Bitte auf die Maße achten.
The two spreaders are different. Watch it!

Schoner "AVONTUUR"
SALING GROSSMAST
main mast spreader

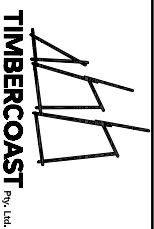
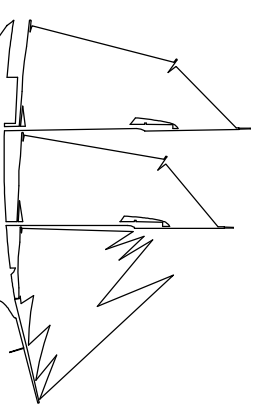
Drawing Number:	3-15	
Drawn:	J.Huerkamp / TI	Date: 2015-07-02
Approved:		

Modification

Name

Date

Name	Date
------	------



40A Portsea Crescent - Kewarra Beach 4879
QLD - Australia - www.timbercoast.com



Ingenieurbüro Takeling.
Str. der Zukunft 9 - 17498 Neuenkirchen
Germany - www.takeling.de



Mariograph GmbH
Am Barkhof 20 - 28209 Bremen
Germany - www.mariograph.com

THIS DRAWING AND THE SHOWN DESIGN ARE OUR PROPERTY. WITHOUT PREVIOUS AGREEMENT IT MAY NEITHER BE REPRODUCED NOR MADE AVAILABLE TO THIRD PARTIES. NOR MAY IT BE UTILISED FOR ANY OTHER IMPROPER PURPOSE NOR ADOPTED FOR OTHER PROJECTS. Copyright © 2014 MARIGRAPH GmbH

Format: DIN A3
Scale: 1:12